

1 2 3 4 5 6 7 8 9

A  
B  
C  
D  
E  
F

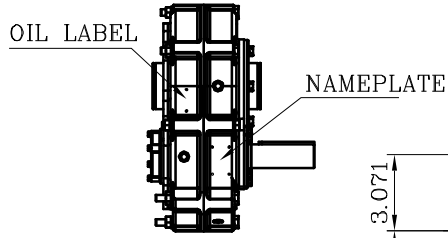
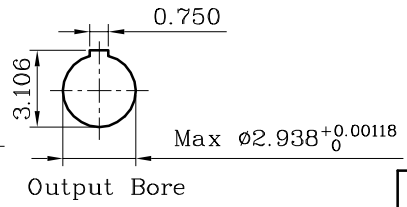
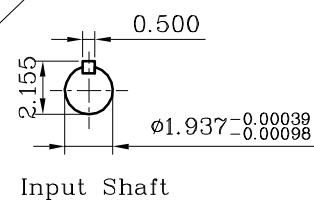
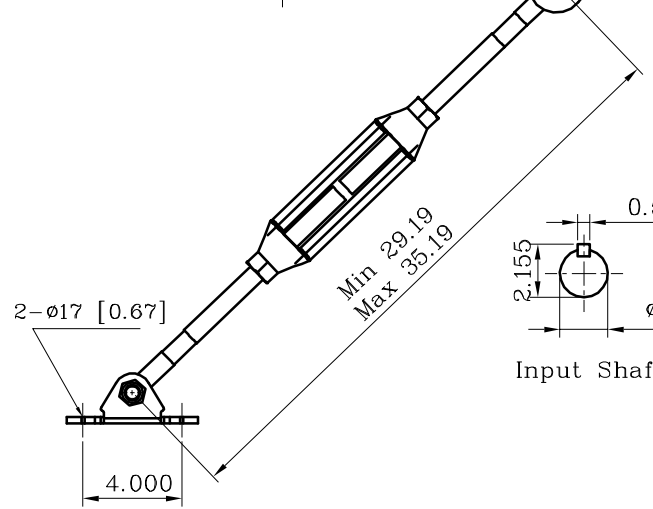
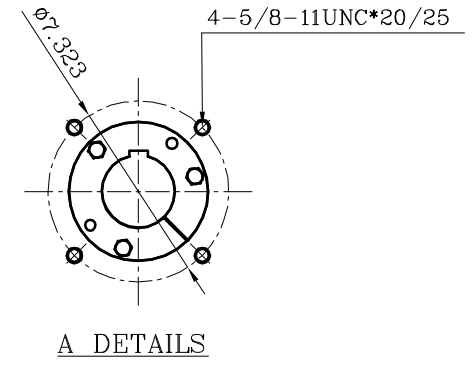
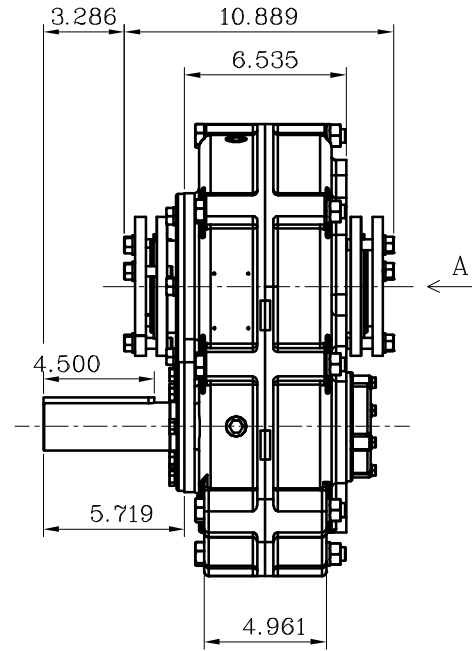
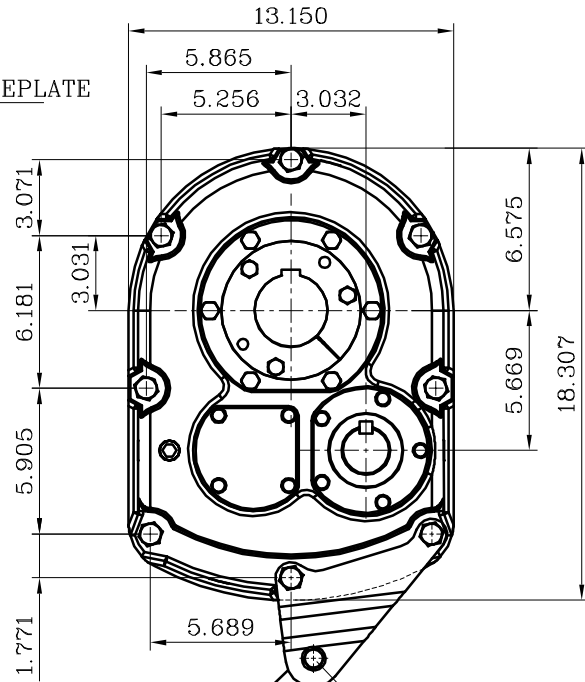


ILLUSTRATION FOR OIL LABEL AND NAMEPLATE



WORLDWIDE

	NAME	DATE	TITLE : SCSMR5-25/1			
DWN.	FRANK	2018.05.09	DWG. NO : SCSMR5			
DESN.			PROJECTION	3RD. ANGLE	E-mail:	REV: A
APPR.			SCALE	1:8		